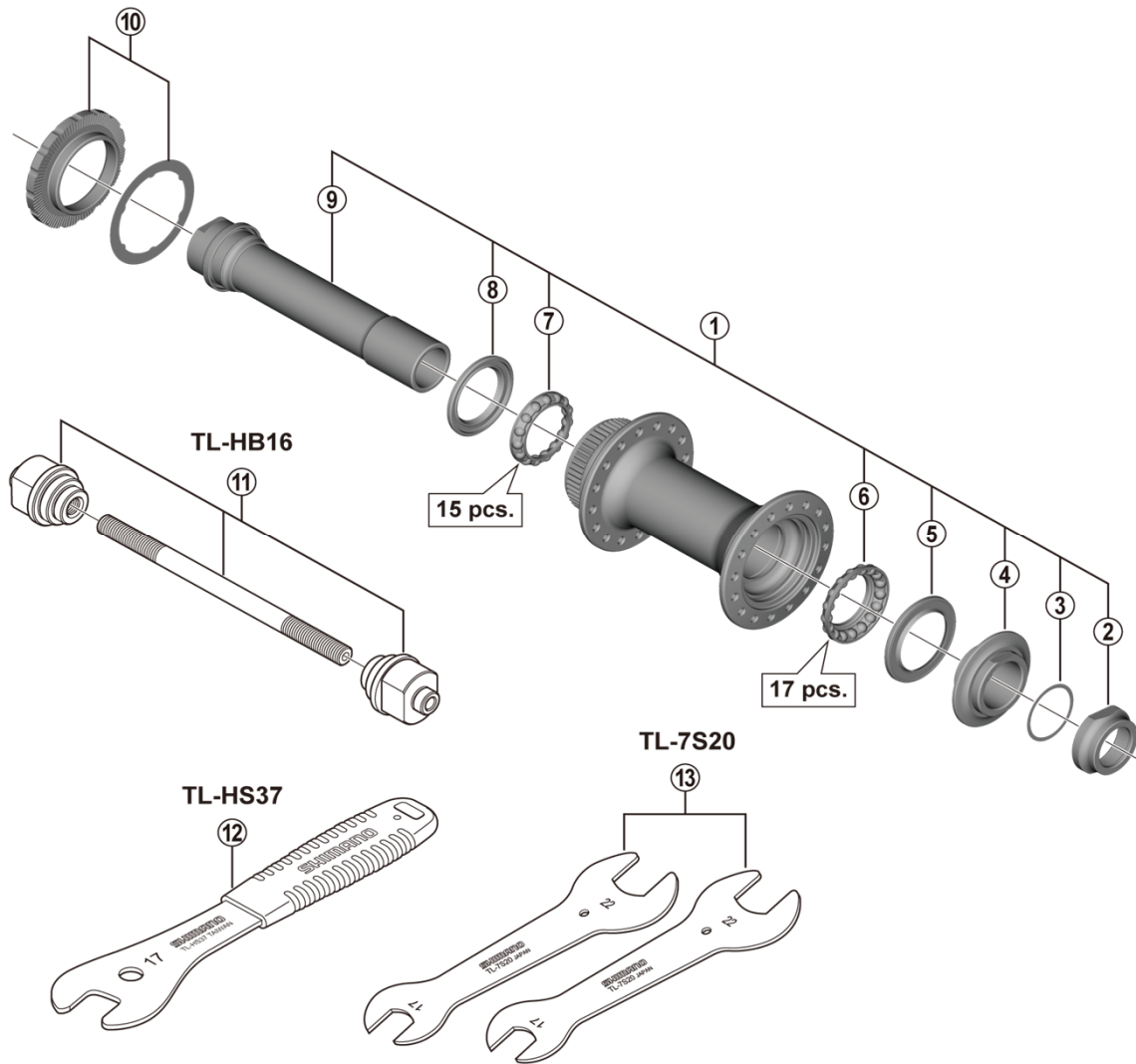


DEORE Front Hub (For Disc Brake)

HB-MT400-B



• Over Lock Nut Dimension: 110 mm (4-11/32")

ITEM NO.	SHIMANO CODE NO.	DESCRIPTION	INTERCHANGEABILITY		
			HB-M6010-B	HB-M7010-B	HB-M8010-B
1	Y2CR98010	Complete Hub Axle			
2	Y24612000	Right Hand Lock Nut	A	B	B
3	Y24613000	Adjusting Washer	A	A	A
4	Y2CR98020	Right Hand Cone w/Dust Cap	A	A	A
5	Y27X15000	Right Hand Seal Ring	A	A	A
6	Y2CR98030	Right Hand Ball Retainer (5/32" x 17)			
7	Y2CR98040	Left Hand Ball Retainer (5/32" x 15)			
8	Y27X14000	Left Hand Seal Ring	A	A	A
9	Y2CR98050	Hub Axle Unit			
10	Y24698030	Lock Ring & Washer	A	A	A
11	Y20W98020	TL-HB16 Hub Setting Tool	A	A	A
12	Y23098030	TL-HS37 Hub Spanner (17 mm)	A	A	A
13	Y13098900	TL-7S20 Hub Spanner (17 mm x 22 mm) 2 pcs.	A	A	A

A: Same parts.

B: Parts are usable, but differ in materials, appearance, finish, size, etc.

Absence of mark indicates non-interchangeability.

Jul.-2018-4361

© Shimano Inc. ITP

Specifications are subject to change without notice.

SHIMANO