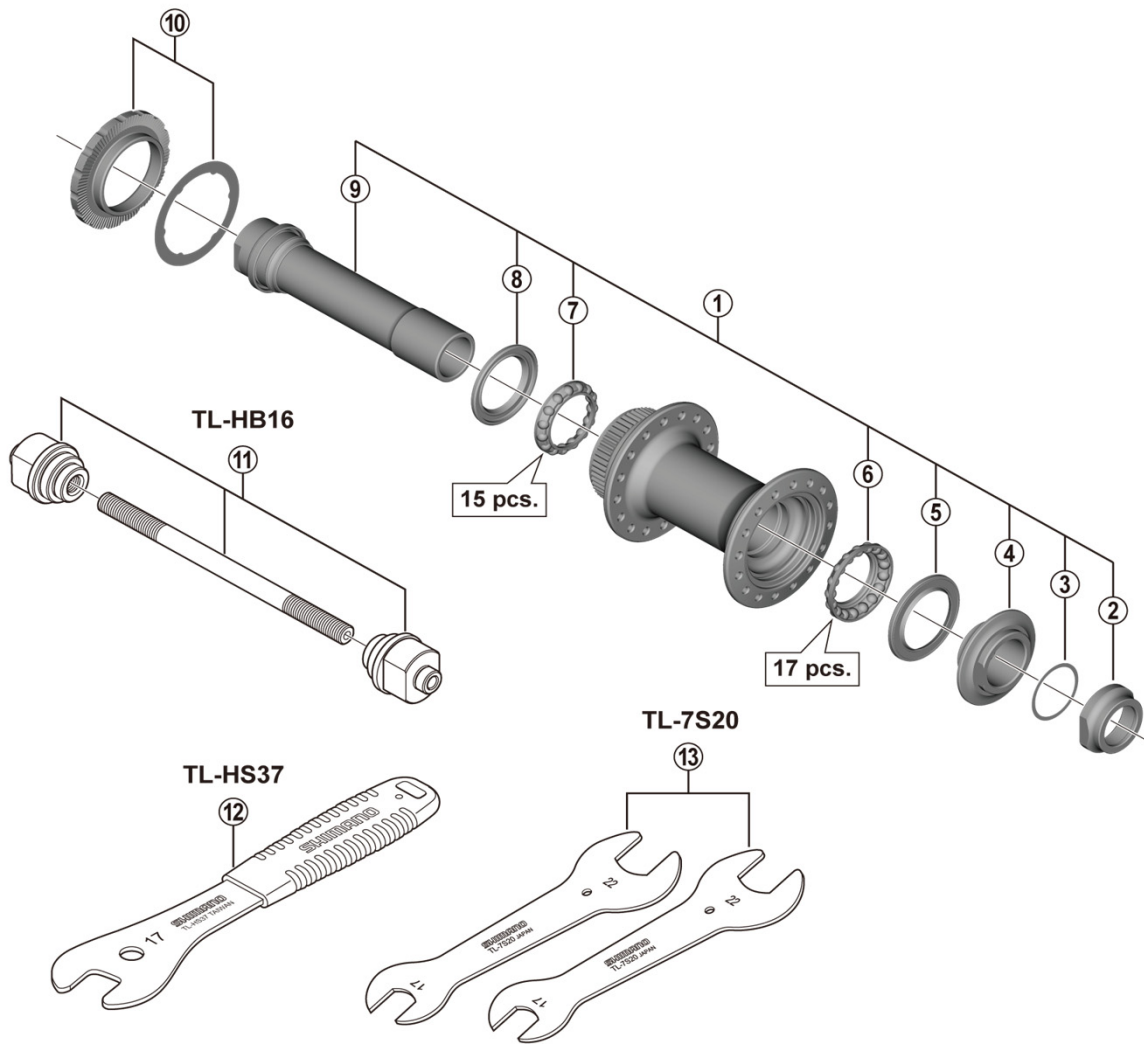


Front Hub (For Disc Brake)

# HB-MT400



• Over Lock Nut Dimension: 100 mm (3-15/16")

ITEM NO.	SHIMANO CODE NO.	DESCRIPTION	INTERCHANGEABILITY	
			HB-M618	HB-MT400-B
1	Y2DA98010	Complete Hub Axle		
2	Y24612000	Right Hand Lock Nut	A	A
3	Y24613000	Adjusting Washer	A	A
4	Y2CR98020	Right Hand Cone w/Dust Cap		A
5	Y27X15000	Right Hand Seal Ring		
6	Y2DA98020	Right Hand Ball Retainer (5/32" x 17)		
7	Y2CR98040	Left Hand Ball Retainer (5/32" x 15)		A
8	Y27X14000	Left Hand Seal Ring	A	A
9	Y2DA98030	Hub Axle Unit		
10	Y24698030	Lock Ring & Washer		A
11	Y20W98020	TL-HB16 Hub Setting Tool		
12	Y23098030	TL-HS37 Hub Spanner (17 mm)		
13	Y13098900	TL-7S20 Hub Spanner (17 mm x 22 mm) 2 pcs.		

A: Same parts.

B: Parts are usable, but differ in materials, appearance, finish, size, etc.

Absence of mark indicates non-interchangeability.

Jul.-2018-4495

© Shimano Inc. ITP

Specifications are subject to change without notice.

# SHIMANO