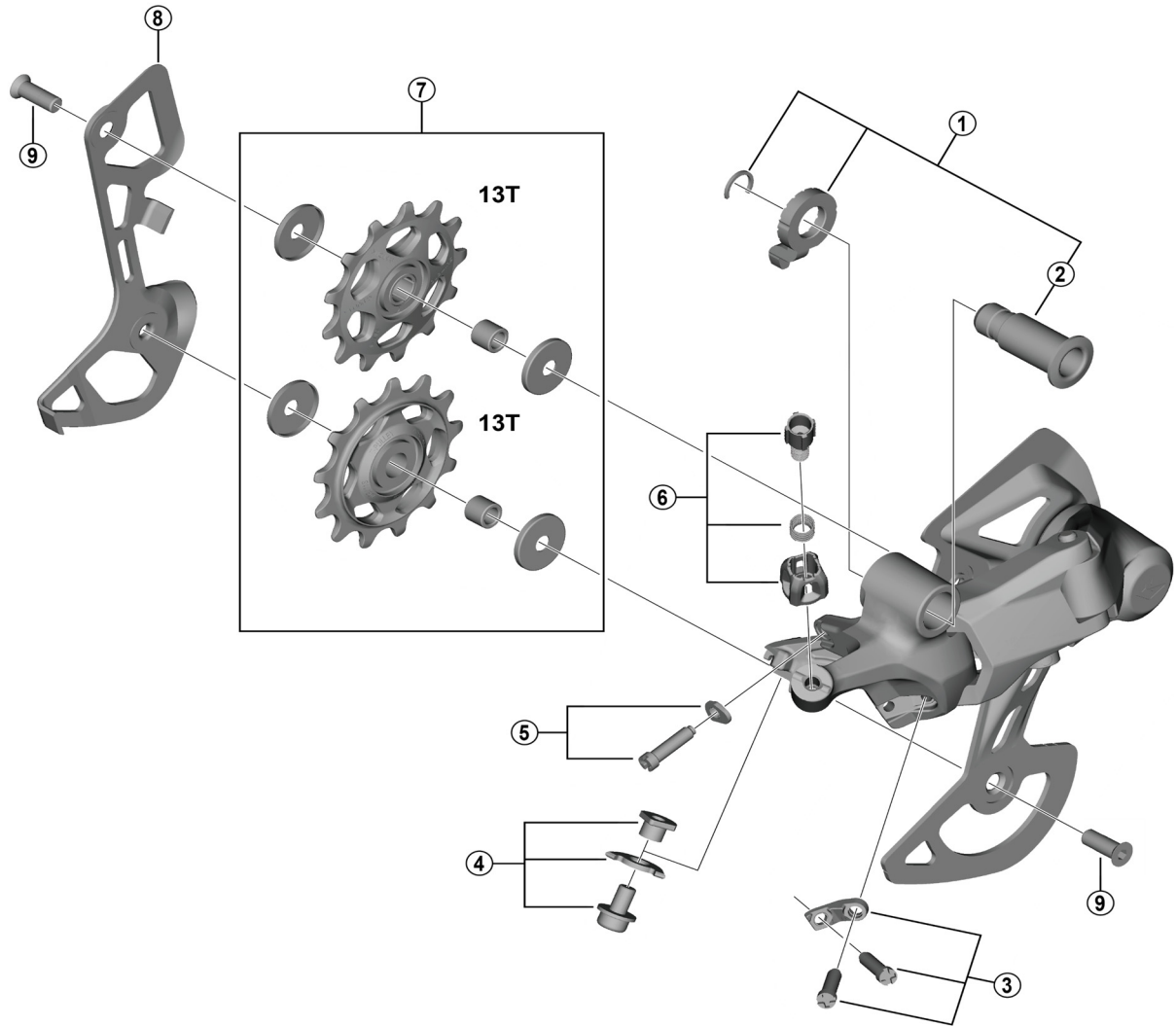


CUES Rear Derailleur RD-U4000-GS 9-speed



ITEM NO.	SHIMANO CODE NO.	DESCRIPTION	RD-U8000 RD-U6000 RD-U4000		
			INTERCHANGEABILITY		
1	Y3JD98010	Mounting screw unit (used for RD-U8000)	A	B	B
2	Y3JD9801T	Mounting screw (used for RD-U8000)	A	B	B
3	Y3JG98010	Stroke adjusting screws and plate			A
4	Y3JD98040	Cable fixing bolt unit (used for RD-U8000)	A	B	B
5	Y3JD98050	End adjust screw and plate (used for RD-U8000)	A	A	B
6	Y3JD98070	Cable adjustment barrel unit (used for RD-U8000)	A	B	B
7	Y3JF98010	Tension and guide pulley set	B	A	A
8	Y3JG9801T	Inner plate (GS)			A
9	Y3HM98080	Pulley screw (2 pcs.)	A	A	A

A: Same parts.

B: Parts are usable, but differ in materials, appearance, finish, size, etc.

Absence of mark indicates non-interchangeability.

Specifications are subject to change without notice.

Mar.-2023-4955

© Shimano Inc. I

SHIMANO