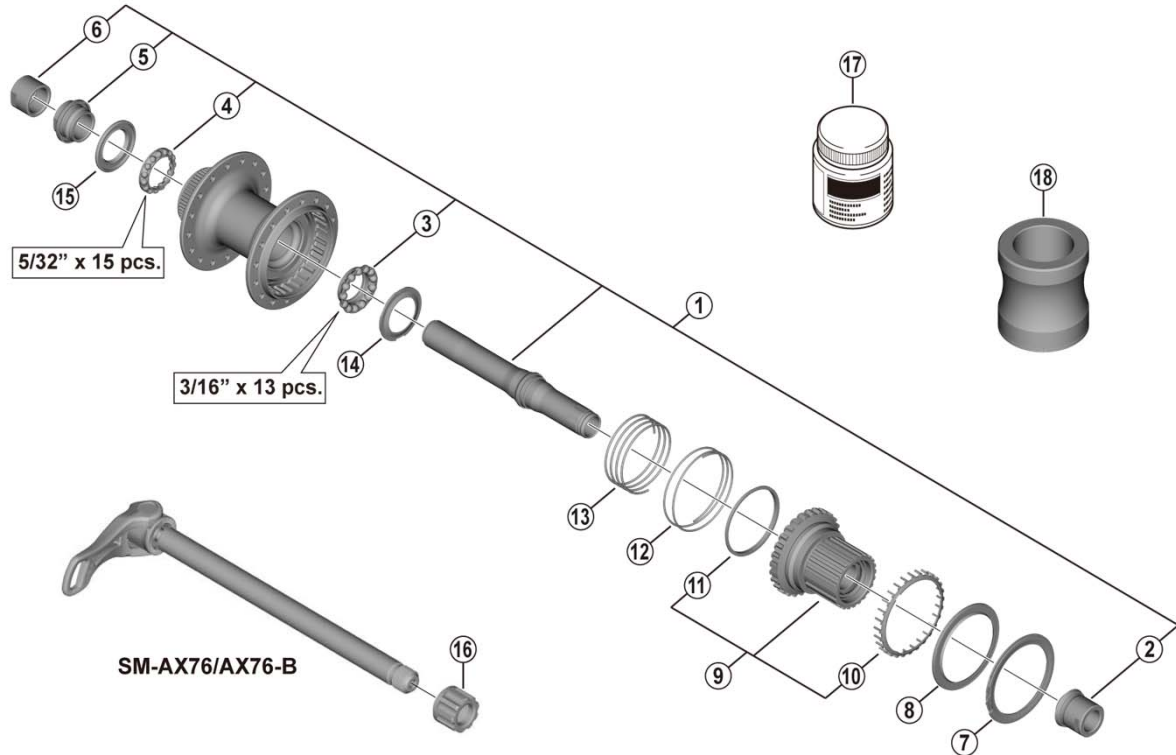


SLX Freehub (12-Speed)

# FH-M7110/M7110-B For Disc Brake

## SM-AX76 /AX76-B



• Over Lock Nut Dimension: 142 mm (5-19/32") for FH-M7110 / 148 mm (5-13/16") for FH-M7110-B

ITEM NO.	SHIMANO CODE NO.	DESCRIPTION	INTERCHANGEABILITY	
1	Y3G498010	Complete Hub Axle for FH-M7110	B	
	Y3G698010	Complete Hub Axle for FH-M7110-B	B	
2	Y3G198020	Right Hand Cap Unit	A	
3	Y3G198030	Right Hand Ball Retainer (3/16" x 13)	A	
4	Y0CJ98030	Ball Retainer (5/32" x 15)	A	
5	Y3G198040	Left Hand Cone w/Dust Cover	A	
6	Y3G104000	Left Hand Lock Nut	A	
7	Y3FL98060	C-Ring w/Outer Dust Cover	A	
8	Y3FM26000	Outer Seal Ring	A	
9	Y3G198050	Complete Freewheel Body	A	
10	Y3G111000	Spacer	A	
11	Y3FM11000	Slider	A	
12	Y3FM10000	Spring	A	
13	Y3FM12000	Coil Spring	A	
14	Y3G112000	Inner Cover	A	
15	Y26D10000	Seal Ring	A	
16	Y27Y02000	Fixing Nut (M12)	A	
17	Y38Z98000	Seal Grease for FREEHUB 50g	A	
18	Y1Y100010	TL-FH16 Seal Ring Presser	A	

A: Same parts.

B: Parts are usable, but differ in materials, appearance, finish, size, etc.

Absence of mark indicates non-interchangeability.

Specifications are subject to change without notice.

FH-M8110-B

Aug.-2019-4603

© Shimano Inc. ITP

# SHIMANO