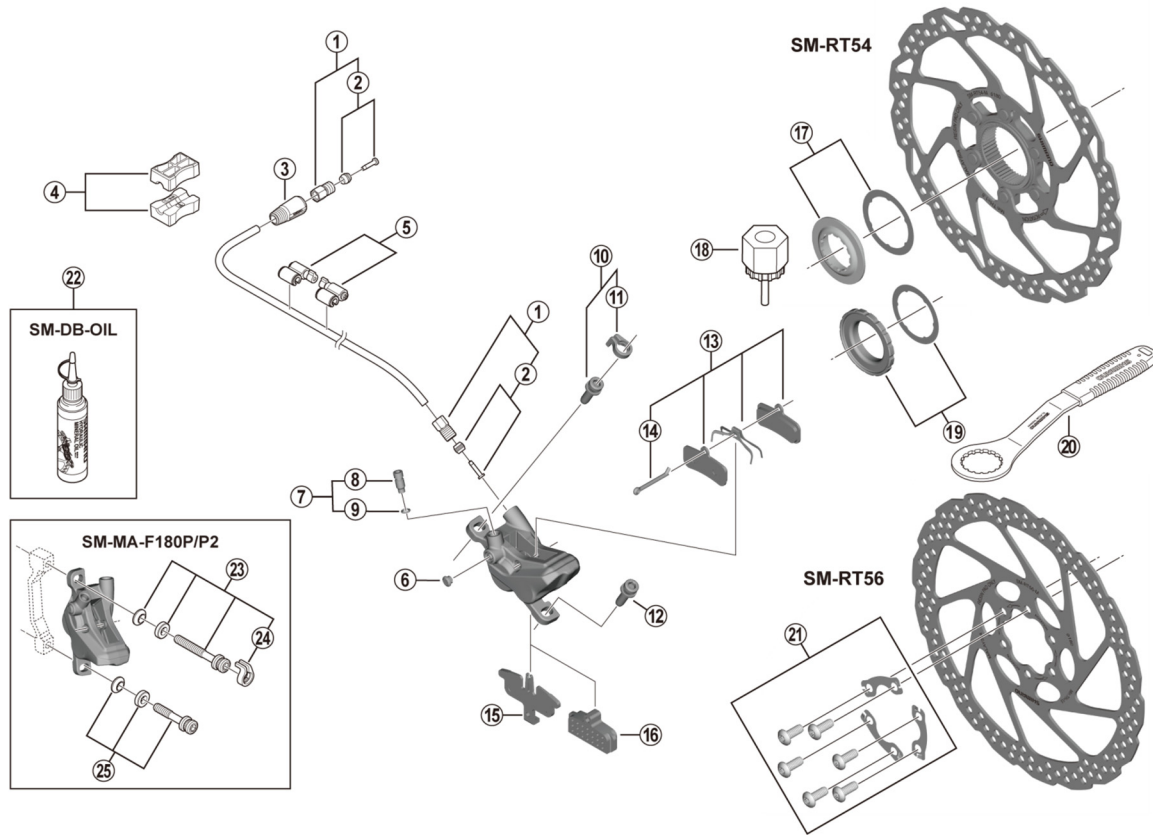


Disc Brake
BR-MT420 Brake Caliper
SM-BH90-SS Brake Hose

SM-RT54 Disc Rotor/Center Lock
SM-RT56 Disc Rotor/6-Bolt



ITEM NO.	SHIMANO CODE NO.	DESCRIPTION	INTERCHANGEABILITY	
1	Y8KH98010	Connecting Bolt Unit	A	
2	Y8JA98020	Olive & Connector Insert		
3	Y8WM14000	Cover	A	
4	Y8H198030	TL-BH61 Shimano original tool (2 pcs.)	A	
5	Y83098040	SM-HANG Hose Supporter A & B	A	
6	Y88F06000	Bleed Boss Cap	A	
7	Y8LS98030	Bleed Screw & O-Ring	A	
8	Y8VZ07000	Bleed Screw	A	
9	Y8B5110010	O-Ring	A	
10	Y8DS98010	Caliper Fixing Bolt (M6 x 18.7) & Snap Ring	A	
11	Y8C511000	Snap Ring	A	
12	Y8C509020	Caliper Fixing Bolt (M6 x 18.7)	A	
13	Y1XM98010	Resin Pad (D03S) & Spring w/Split Pin		
14	Y8DB06100	Split Pin	A	
15	Y1Y003000	Pad Spacer		
16	Y8FF19000	Bleeding Spacer		
17	Y8K998010	Lock Ring & Washer	A	
18	Y12009230	TL-LR15 Lock Ring Removal Tool	A	
19	Y24698030	Lock Ring & Washer (Externally serrated type)	A	
20	Y13098000	TL-FC36 Lock Ring Removal Tool	A	
21	Y8KT98010	Rotor Fixing Bolt & Lock Washer	A	
	Y83998010	Mineral Oil (50 ml)	A	
22	Y83998020	Mineral Oil (100 ml)	A	
	Y83998030	Mineral Oil (500 ml)	A	
23	Y8G498020	Caliper Fixing Bolt Unit (M6 x 37.9)	A	
24	Y81703000	Snap Ring	A	
25	Y8G498030	Caliper Fixing Bolt Unit (M6 x 32.1)	A	

A: Same parts.

B: Parts are usable, but differ in materials, appearance, finish, size, etc.

Absence of mark indicates non-interchangeability.

Specifications are subject to change without notice.

Apr.-2019-4544

© Shimano Inc. I

SHIMANO