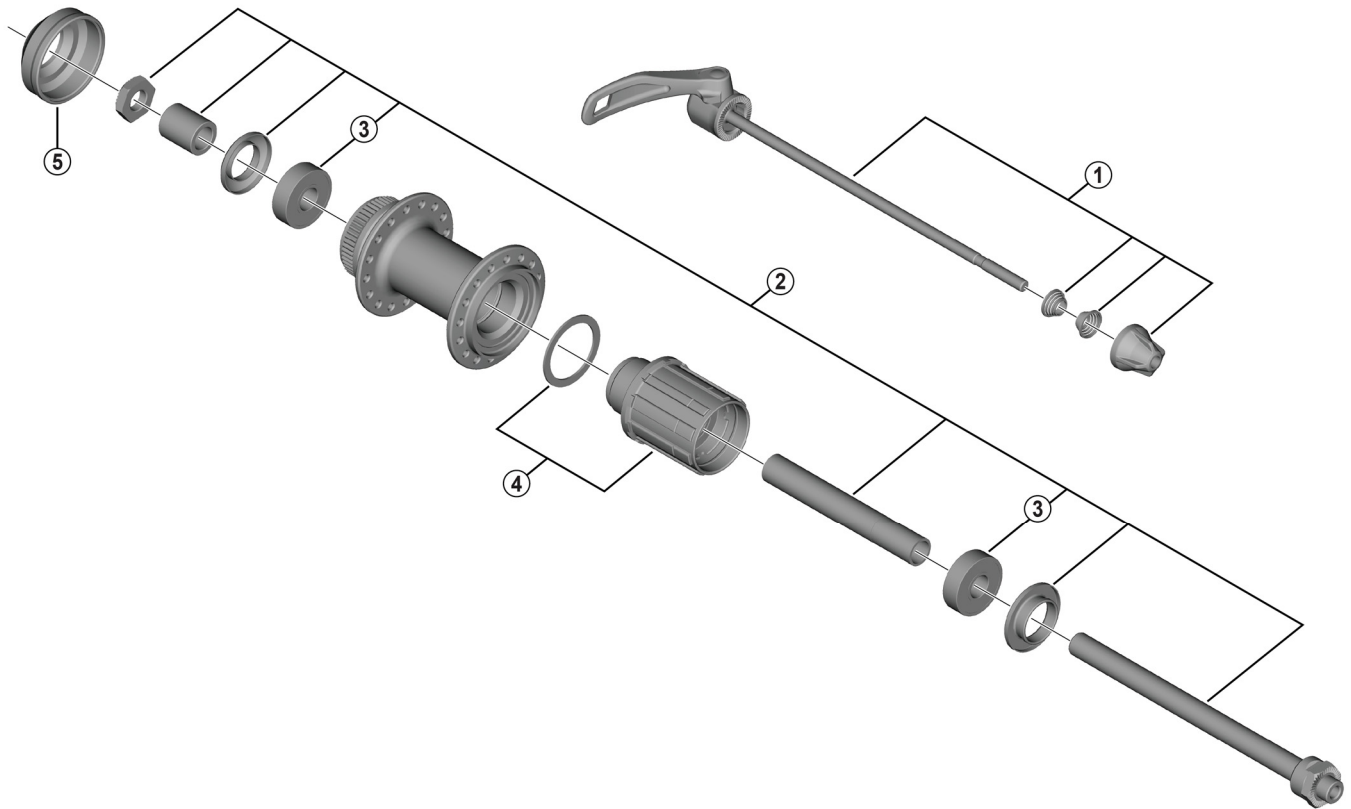


FREEHUB (11/10/9/8-speed)
FH-QC400-HM For Disc Brake



• O.L.D. 135 mm

ITEM NO.	SHIMANO CODE NO.	DESCRIPTION	INTERCHANGEABILITY		
			FH-M4050	FH-TX505	HB-QC400
1	Y4SK98120	Complete quick release 168 mm	A		
	Y31H98010	Complete quick release 173 mm	A		
2	Y3K198010	Complete hub axle			
3	Y3K19802T	Sealed cartridge bearing (10 x 26 x 8)			B
4	Y3K198030	Complete freewheel body			
5	Y2K29801T	Rotor mount cover			A

A: Same parts.

B: Parts are usable, but differ in materials, appearance, finish, size, etc.

Absence of mark indicates non-interchangeability.

Mar.-2023-5041

© Shimano Inc. I

Specifications are subject to change without notice.

SHIMANO