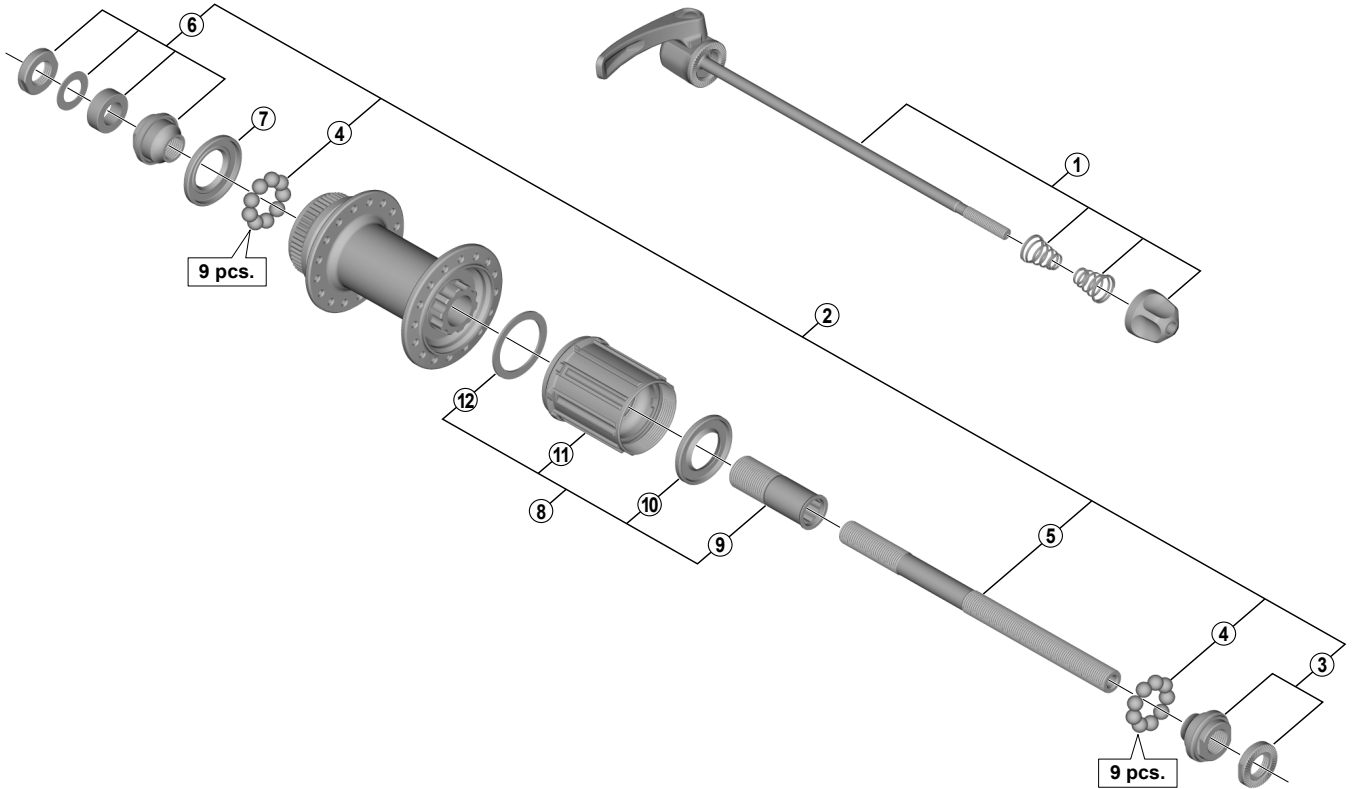


SLX Freehub (8/9/10/MTB 11-speed)
FH-M7000 For Disc Brake



• Over Lock Nut Dimension: 135 mm (5-5/16")

FH-M675

| ITEM NO. | SHIMANO CODE NO. | DESCRIPTION | INTERCHANGEABILITY | |
|----------|------------------|--|--------------------|--|
| 1 | Y39J98010 | Complete Quick Release 168 mm (6-5/8") | | |
| | Y39J98020 | Complete Quick Release 173 mm (6-13/16") | | |
| 2 | Y3SY98010 | Complete Hub Axle 146 mm (5-3/4") | A | |
| 3 | Y3D398040 | Right Hand Lock Nut Unit | A | |
| 4 | Y00091310 | Steel Ball (1/4") 18 pcs. | | |
| 5 | Y30K01200 | Hub Axle M10 x 146 mm (5-3/4") | A | |
| 6 | Y3SY98020 | Left Hand Lock Nut Unit | A | |
| 7 | Y3CR09000 | Left Hand Seal Ring | A | |
| 8 | Y3D398070 | Complete Freewheel Body | A | |
| 9 | Y3D310000 | Body Fixing Bolt | A | |
| 10 | Y3CR08000 | Right Hand Seal Ring | A | |
| 11 | Y3D398080 | Freewheel Body Unit | A | |
| 12 | Y37504000 | Freewheel Body Washer | A | |

A: Same parts.

B: Parts are usable, but differ in materials, appearance, finish, size, etc.

Absence of mark indicates non-interchangeability.

May-2016-4006

© Shimano Inc. I

Specifications are subject to change without notice.

SHIMANO