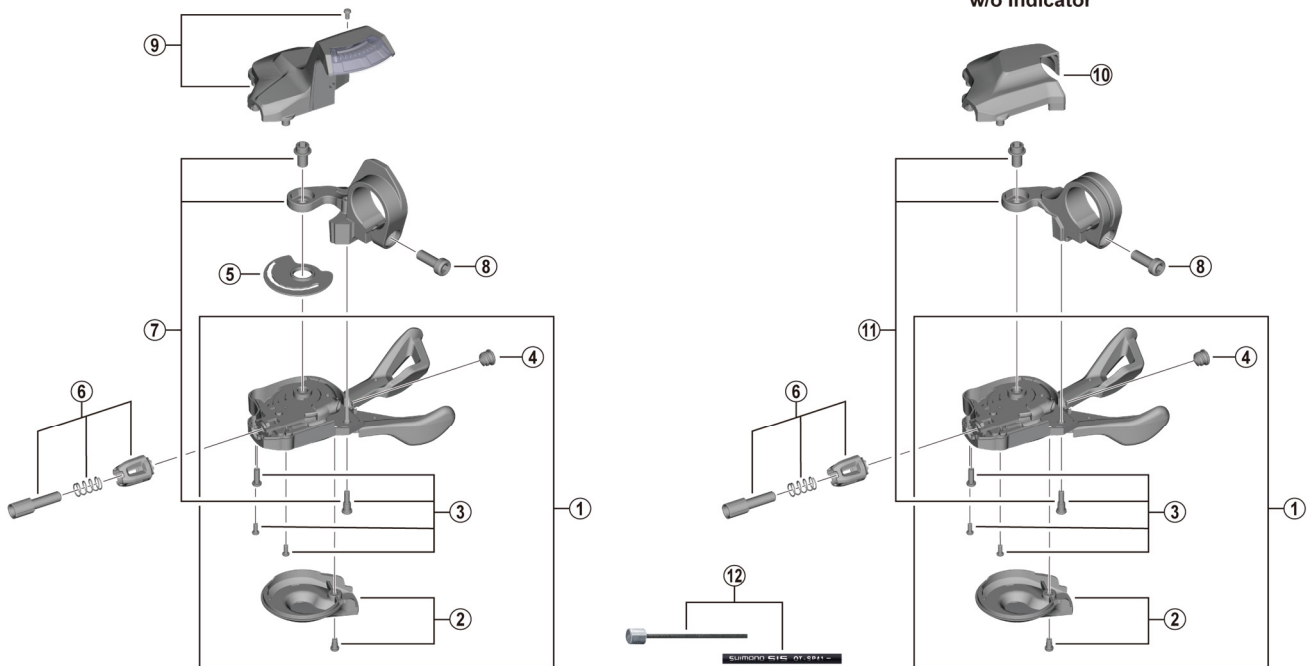


# DEORE Rapidfire Plus Lever

## SL-M5130-R10 (10-speed)

For Right Hand



ITEM NO.	SHIMANO CODE NO.	DESCRIPTION
1	Y0NB98010	Right hand shifting lever unit
2	Y0NB98020	Right hand main lever cover and fixing screw
3	Y0CR98070	Right hand base cover fixing screw unit
4	Y6CD33000	Inner hole cap
5	Y0NB03000	Right hand cam plate
6	Y03K98030	Right hand cable adjustment barrel unit
7	Y0CR98030	Right hand bracket and fixing screw for with indicator type
8	Y6T842000	Clamp screw (M5 x 13.5)
9	Y0NB98030	Right hand bracket and fixing screw for with indicator type
10	Y0NB07000	Right hand base cap
11	Y0CR98040	Right hand bracket and fixing screw for without indicator type
12	Y60198090	OT-SP41 OPTISLICK shift cable sets (Black) <ul style="list-style-type: none"> <li>• Sealed outer caps, plastic (9 pcs.)</li> <li>• Sealed outer cap nose (1 pc.)</li> <li>• Rubber shield (1 pc.)</li> <li>• Inner end caps (2 pcs.)</li> </ul>
	Y60198091	OT-SP41 OPTISLICK shift cable sets (White) <ul style="list-style-type: none"> <li>• Sealed outer caps, plastic (9 pcs.)</li> <li>• Sealed outer cap nose (1 pc.)</li> <li>• Rubber shield (1 pc.)</li> <li>• Inner end caps (2 pcs.)</li> </ul>

May-2021-4801

© Shimano Inc. I

Specifications are subject to change without notice.

# SHIMANO