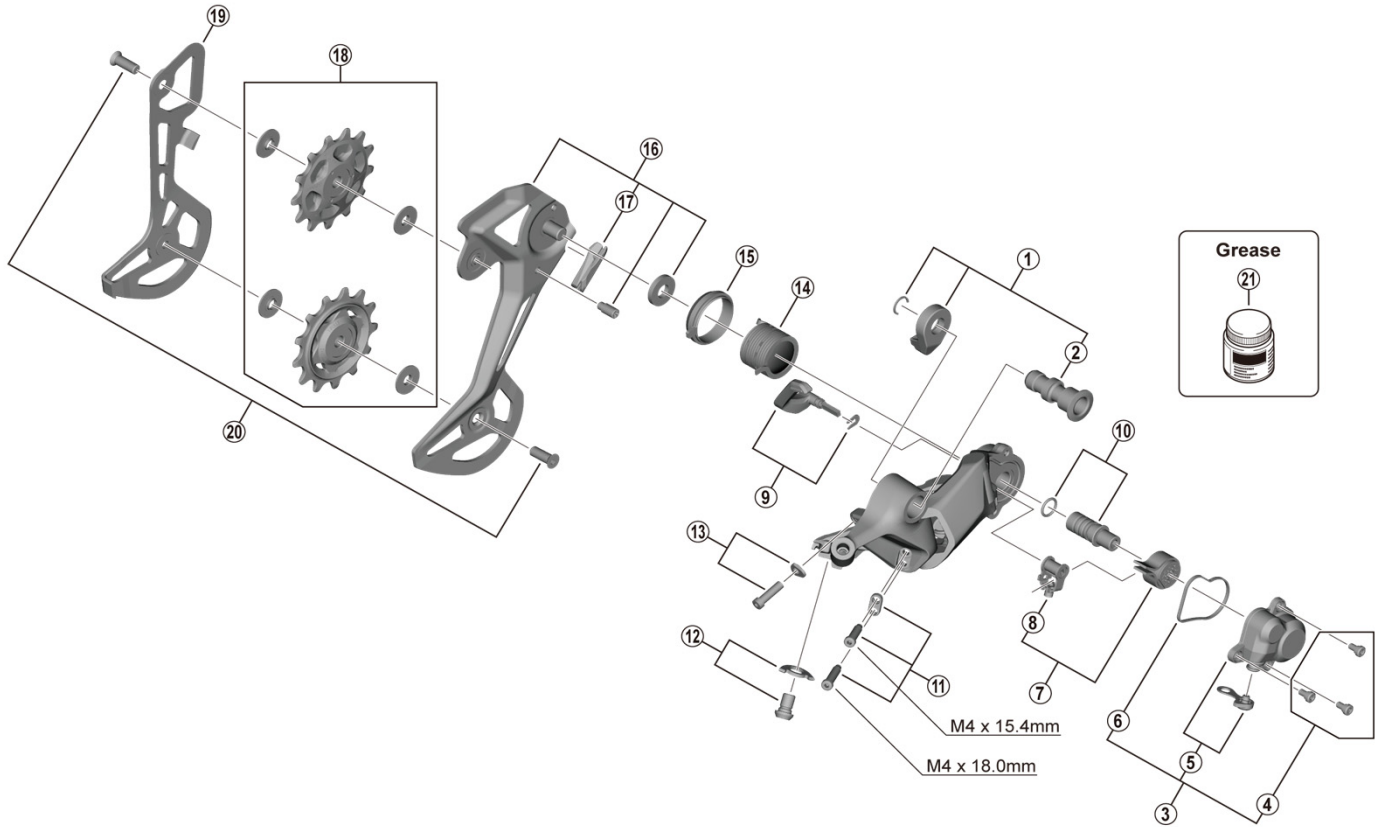


DEORE XT Rear Derailleur
RD-M8130-SGS 11-speed



RD-M8100

ITEM NO.	SHIMANO CODE NO.	DESCRIPTION	INTERCHANGEABILITY
1	Y3FW98020	Bracket axle unit	A
2	Y3FW42000	B-axle	A
3	Y3J598020	P-cover unit	B
4	Y5Y198070	P-cover screw set (3 pcs.)	A
5	Y3J598030	P-cover and cap	B
6	Y3FA63000	P-cover packing	A
7	Y3GF98040	Stabilizer unit	A
8	Y3E498040	Cam unit	A
9	Y3FA98040	Switch lever unit and fixing plate	A
10	Y5PV98060	P-axle and O-ring	A
11	Y3FW98050	Stroke adjusting screw and plate	A
12	Y3FW98060	Cable fixing screw unit	A
13	Y3FW98070	End adjust screw (M4 x 14.1) and plate	A
14	Y3FA55000	P-tension spring	A
15	Y3FA62000	P-seal ring	A
16	Y3J598040	Outer plate assembly (SGS)	
17	Y3FW50000	Bumper	A
18	Y3J598010	Tension and guide pulley set	
19	Y3J526000	Inner plate (SGS)	B
20	Y3FW98090	Pulley screw (2 pcs.)	A
21	Y04121000	New grease for stabilizer (Net. 50 g)	A

A: Same parts.

B: Parts are usable, but differ in materials, appearance, finish, size, etc.

Absence of mark indicates non-interchangeability.

Specifications are subject to change without notice.

May-2021-4802

© Shimano Inc. I

SHIMANO